

RULLI OTTAGONALI – PROLUNGHE PER RULLO

OCTAGONAL ROLLERS, TUBES EXTENSION

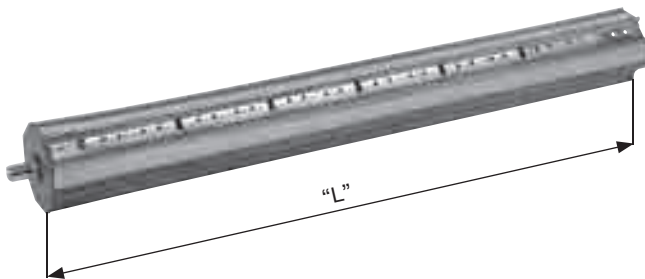


RULLO OTTAGONALE IN FERRO ZINCATO OCTAGONAL GALVANIZED IRON ROLLER

Sezione Ø section	Spessore mm thickness	In barre 6 m** bars	Tagliato a misura Cut to measure
60 mm	5/10	116.R.05.20	116.T.05.20
60 mm	6/10	116.R.06.20	116.T.06.20
60 mm	8/10	116.R.08.20	116.T.08.20
60 mm	9/10	116.R.09.20	116.T.09.20
60 mm	10/10	116.R.10.20	116.T.10.20
70 mm	10/10	117.R.11.20	117.T.11.20
70 mm	15/10	117.R.15.20	

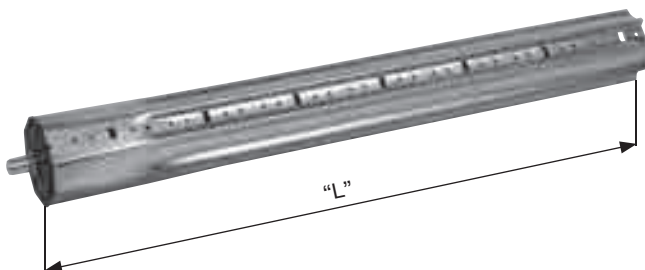
MINI-RULLO OTTAGONALE IN FERRO ZINCATO OCTAGONAL GALVANIZED IRON MINI-ROLLER

Sezione Ø section	Spessore mm thickness	In barre 6 m** bars	Tagliato a misura Cut to measure
40 mm	5/10	250.R.05.20	
40 mm	6/10	250.R.06.20	250.T.06.20
40 mm	8/10	250.R.08.20	250.T.08.20



PROLUNGA CON CALOTTA per rullo Ø 60 mm TUBE ESTENSION WITH CAP

116.P.35.20	"L" 350 mm
116.P.50.20	"L" 500 mm



PROLUNGA CON OTTAGONO L.55mm E CALOTTA per rullo Ø 60 mm TUBE ESTENSION WITH CAP

115.P.35.20	"L" 350 mm
115.P.50.20	"L" 500 mm

PROLUNGA CON OTTAGONO per MINIRULLO Ø 40 mm TUBE ESTENSION

250.P.30.20	"L" 300 mm
-------------	------------

ACCESSORI E CALOTTE PER RULLO OTTAGONALE

ACCESSORIES AND CAPS FOR OCTAGONAL ROLLERS



ANELLO ADATTATORE per rullo Ø 60mm
ADAPTER RING for octagonal roller Ø 60 mm

116.A.08.90	\varnothing 80 mm
--------------------	---------------------



ANELLO ADATTATORE per rullo Ø 70 mm
ADAPTER RING for octagonal roller Ø 70 mm

117.A.08.90	\varnothing 80 mm
--------------------	---------------------

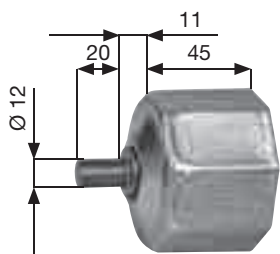
117.A.10.90	\varnothing 101 mm
--------------------	----------------------

117.A.13.90	\varnothing 130 mm
--------------------	----------------------



FLANGIA di CONTENIMENTO per rullo Ø 60 mm
PLASTIC GUIDE FLANGE for octagonal roller Ø 60

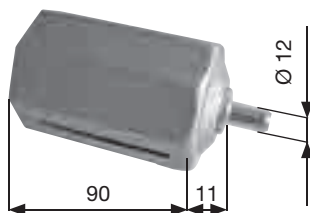
123.D.FC.90	\varnothing 210 mm
--------------------	----------------------



CALOTTA (in ferro zincato)
CAP (galvanized iron)

118.C.00.20	Per rullo Ø 60 mm <i>For octagonal roller Ø 60 mm</i>
--------------------	--

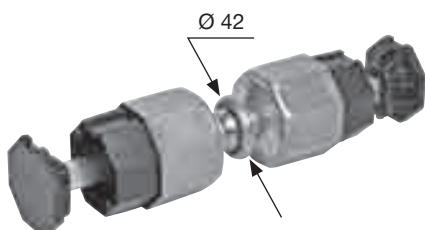
119.C.00.20	Per rullo Ø 70 mm <i>for octagonal roller Ø 70 mm</i>
--------------------	--



CALOTTA REGISTRABILE (in ferro zincato)
ADJUSTABLE CAP (galvanized iron)

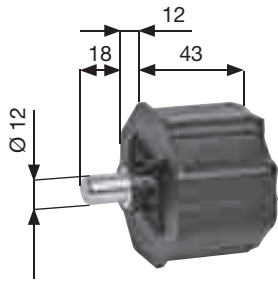
118.C.RG.20	Per rullo Ø 60 mm <i>for octagonal roller Ø 60 mm</i>
--------------------	--

119.C.RG.20	Per rullo Ø 70 mm <i>for octagonal roller Ø 70 mm</i>
--------------------	--

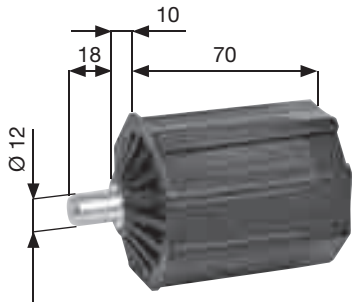


CALOTTA DOPPIA (in ferro zincato)
DOUBLE CAP (galvanized iron)

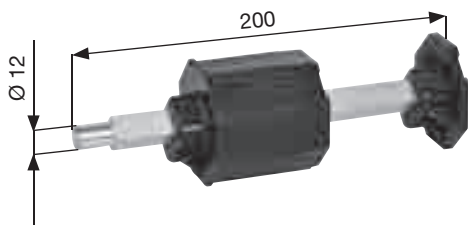
118.C.DP.20	Per rullo Ø 60 mm <i>for octagonal roller Ø 60 mm</i>
--------------------	--



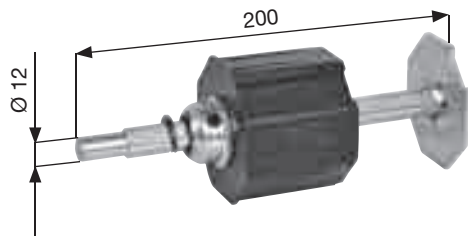
CALOTTA (in plastica) <i>CAP (plastic)</i>	
121.C.00.90	Per rullo Ø 60 mm for octagonal roller Ø 60 mm



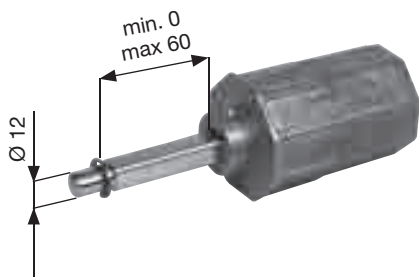
CALOTTA LUNGA L=75 mm (in plastica) <i>LONG CAP (plastic)</i>	
121.C.L6.90	Per rullo Ø 60 mm for octagonal roller Ø 60 mm



CALOTTA TELESCOPICA (in plastica) <i>ADJUSTABLE CAP (plastic)</i>	
121.C.E6.90	Per rullo Ø 60 mm / for octagonal roller Ø 60 mm perno Ø 12 mm / pivot Ø 12 mm



CALOTTA TELESCOPICA (in plastica) <i>ADJUSTABLE CAP (plastic)</i>	
121.C.R7.90	Per rullo Ø 70 mm / for octagonal roller Ø 70 mm perno Ø 12 mm / pivot Ø 12 mm



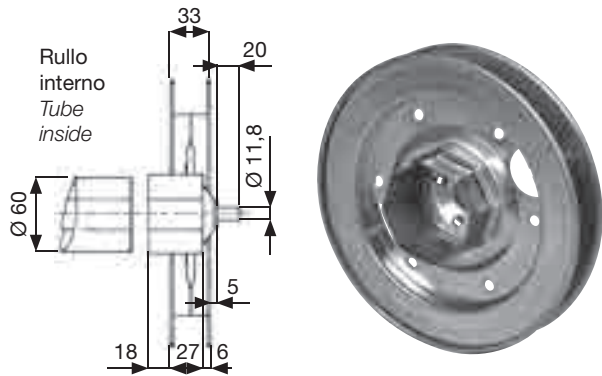
CALOTTA RETRATTILE CON MOLLA <i>RETRACTABLE CAP WITH SPRING</i>	
118.C.RT.20	Per rullo Ø 60 mm / for octagonal roller Ø 60 mm Inserto ottagonale in alluminio



MINICALOTTA (in ferro zincato) <i>MINI-CAP (galvanized iron)</i>	
250.C.12.20	Per rullo Ø 40 mm / for octagonal roller Ø 40 perno Ø 12 mm / pivot Ø 12 mm

PULEGGE PER RULLO OTTAGONALE

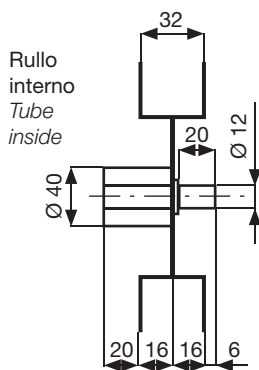
PULLEYS FOR OCTAGONAL ROLLERS



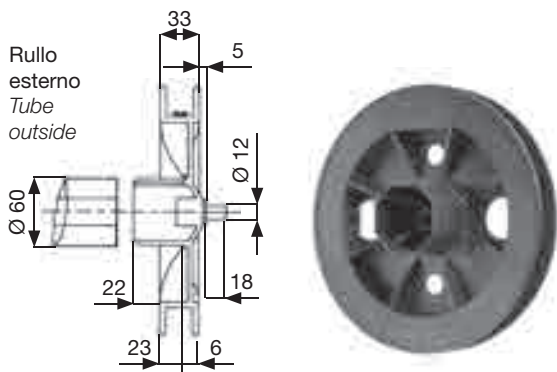
PULEGGIA (in ferro zincato) PULLEY (galvanized iron)		
120.P.16.20	Ø 160 mm	Per rullo Ø 60 mm for roller Ø 60 mm
120.P.18.20	Ø 180 mm	Per rullo Ø 60 mm for roller Ø 60 mm
120.P.20.20	Ø 200 mm	Per rullo Ø 60 mm for roller Ø 60 mm
120.P.22.20	Ø 220 mm	Per rullo Ø 60 mm for roller Ø 60 mm
120.P.24.20	Ø 240 mm	Per rullo Ø 60 mm for roller Ø 60 mm



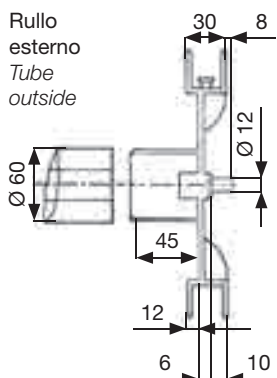
PULEGGIA PASSANTE (in ferro zincato) SLIDING PULLEY (galvanized iron)		
120.P.P8.20	Ø 180 mm	Per rullo Ø 60 mm for roller Ø 60 mm
120.P.P0.20	Ø 200 mm	Per rullo Ø 60 mm for roller Ø 60 mm
120.P.P2.20	Ø 220 mm	Per rullo Ø 60 mm for roller Ø 60 mm
120.P.P4.20	Ø 240 mm	Per rullo Ø 60 mm for roller Ø 60 mm



MINIPULEGGIA (in ferro zincato) MINI-PULLEY (galvanized iron)		
250.P.14.20	Ø 140 mm	Per rullo Ø 40 mm for roller Ø 40 mm
250.P.18.20	Ø 180 mm	Per rullo Ø 40 mm for roller Ø 40 mm
perno Ø 12 mm / pivot Ø 12 mm		



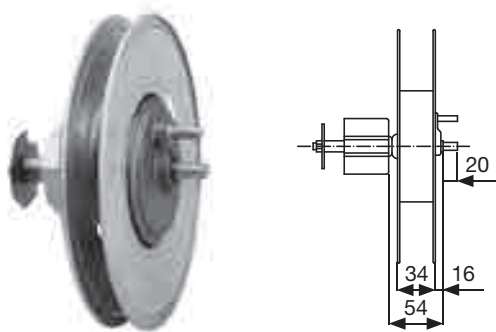
PULEGGIA INTERNA (in plastica) INNER PULLEY (plastic)		
121.P.18.90	Ø 180 mm	Per rullo Ø 60 mm for roller Ø 60 mm
121.P.20.90	Ø 200 mm	Per rullo Ø 60 mm for roller Ø 60 mm
121.P.22.90	Ø 220 mm	Per rullo Ø 60 mm for roller Ø 60 mm



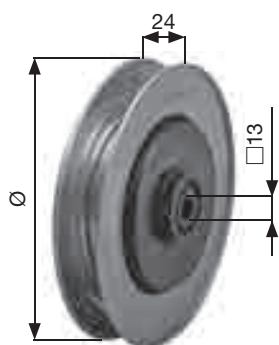
PULEGGIA con PERNO INCASSATO (in plastica) PULLEY with INNER PIVOT (plastic)		
122.P.18.90	Ø 180 mm	Per rullo Ø 60 mm for roller Ø 60 mm
122.P.20.90	Ø 200 mm	Per rullo Ø 60 mm for roller Ø 60 mm
122.P.22.90	Ø 220 mm	Per rullo Ø 60 mm for roller Ø 60 mm

RIDOTTORI

REDUCTION GEARS



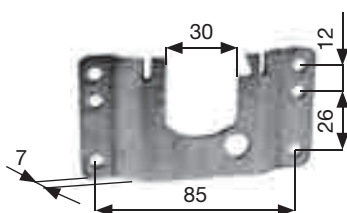
RIDOTTORE – corona e ingranaggi in GHISA REDUCTION PULLEY – CAST IRON gears					
Articolo item	Rapporto ratio	Puleggia Pulley	Portata max load	Spessore cintino max Thickness strap	Rullo roller
125.R.GH.20	1:2,5	Ø 210	Kg 30	1,8 mm	Ø 60 mm
125.R.GH.24	1:2,5	Ø 240	Kg 30	1,8 mm	Ø 60 mm



RIDOTTORE AD INCASTRO 30 mm Foro □ 13 mm per CALOTTA PASSANTE REDUCTION PULLEY 30 MM GAIN – hole □ 13 mm for SLIDING CAP					
Articolo item	Rapporto ratio	Puleggia Pulley	Portata max load	Spessore cintino max Thickness strap	Rullo roller
125.R.M1.20	1:2	Ø 190	Kg 30	1,8 mm	Ø 60 mm
125.R.M2.20	1:2	Ø 210	Kg 30	1,8 mm	Ø 60 mm



CALOTTA TELESCOPICA PER RIDOTTORE ADJUSTABLE CAP FOR REDUCTION GEAR	
125.C.13.90	Per rullo Ø 60 mm / for roller Ø 60 mm perno □ 13 mm / pivot □ 13 mm



SUPPORTO A LEGNO per riduttore - incastro 30 mm Support for reduction pulley – 30 mm gain	
125.P.07.20	Sbalzo 7 mm / jut 7 mm